

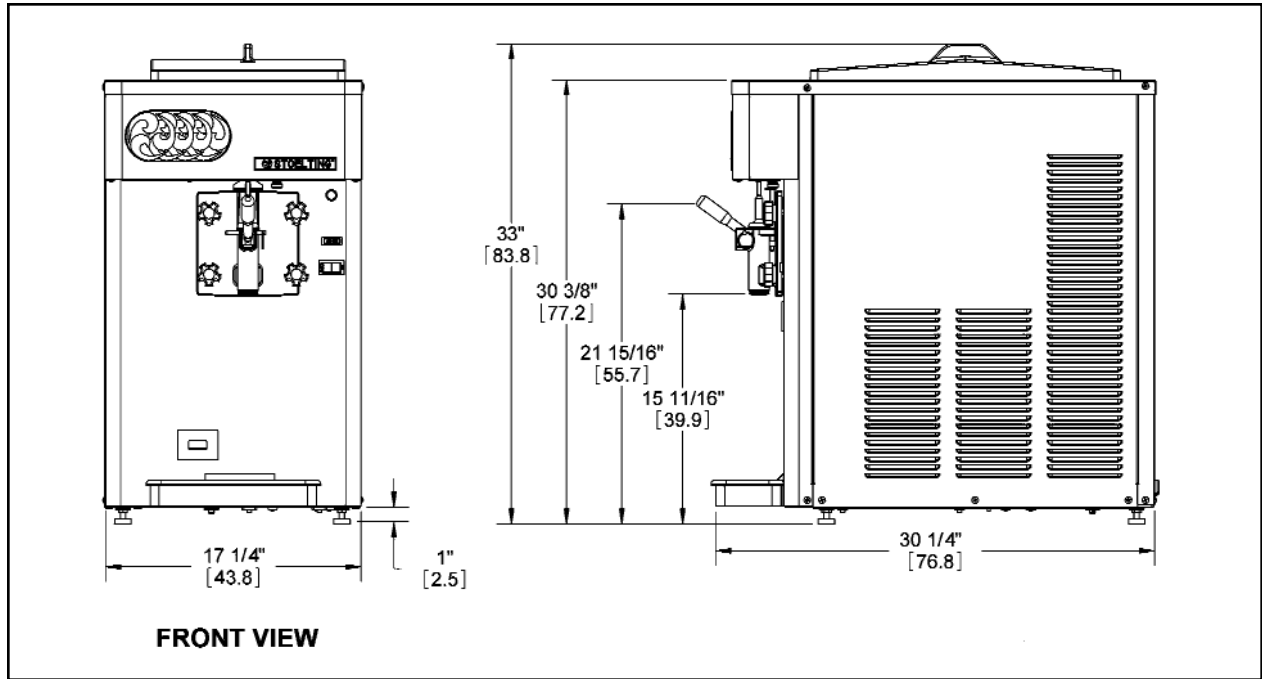
# COUNTER-TOP SHAKE OR SLUSH FREEZER

F112



- Compact, space-saver unit, offers the convenience to serve frozen beverages, shakes, smoothies or frozen cocktails.
- One selector switch, auto-off-clean, for simplified operation and cleaning.
- High capacity refrigeration system designed for high temperatures; produces volumes of shakes or frozen beverages.
- Slush defrost cycle for consistent product.
- Low mix warning light with electronic controls are auto-fill ready.
- Stainless stator auger, heavy duty speed reducer, 3/4 hp drive motor sets the standard for long life dependability.
- Air filter located behind left side is easily cleaned to maintain continuous high performance.
- One piece clear polycarbonate door highlights pre-flavored products.
- Air and Water cooled units available.
- Electric, CO<sub>2</sub>, or air operated autofill kits are available.
- On demand defrost insures a smooth drink with consistent quality.
- Optional bottle rack with plastic bottles available.





<b>Model F112</b>		
<b>Dimensions</b>	<b>Machine</b>	<b>with crate</b>
width	17-1/4" (43,8 cm)	29" (73,7 cm)
height	33" (83,8 cm)	44" (111,8 cm)
depth	30-1/4" (76,8 cm)	39" (99,1 cm)
<b>Weight</b>	288 lbs (130,6 kg)	315 lbs (142,8 kg)
<b>Electrical</b>	<b>1 Phase, 208-240 VAC, 60Hz</b>	
running amps	approximately 10A	
connection type	NEMA6-15P power cord provided	
International Option	1 Phase, 220-240 VAC, 50Hz	
<b>Compressor</b>	8,600 Btu/hr	
<b>Drive Motor</b>	3/4 hp	
<b>Air Flow</b>	Air cooled units require 6" (15,24 cm) air space on both sides	
<b>Plumbing Fittings</b>	Water cooled units require 3/8" N.P.T. water and drain fittings.	
<b>Hopper Volume</b>	5.375 gallon (20,35 liters)	
<b>Freezing Cylinder Volume</b>	2.125 gallon (8.5 quart), 8,04 liters	

Continuous research leads to ongoing product improvements; therefore, these specifications are subject to change without notice.

Distributed by:



FOODSERVICE EQUIPMENT  
 502 Highway 67 • Kiel, WI 53042-1600  
 920-894-2293 • 800-558-5807  
 Fax: 920-894-7029  
 E-mail: foodservice@stoelting.com  
 www.stoeltingfoodservice.com

ISO 9001:2000 Registered

Certified, Listed and/or Recognized by:

